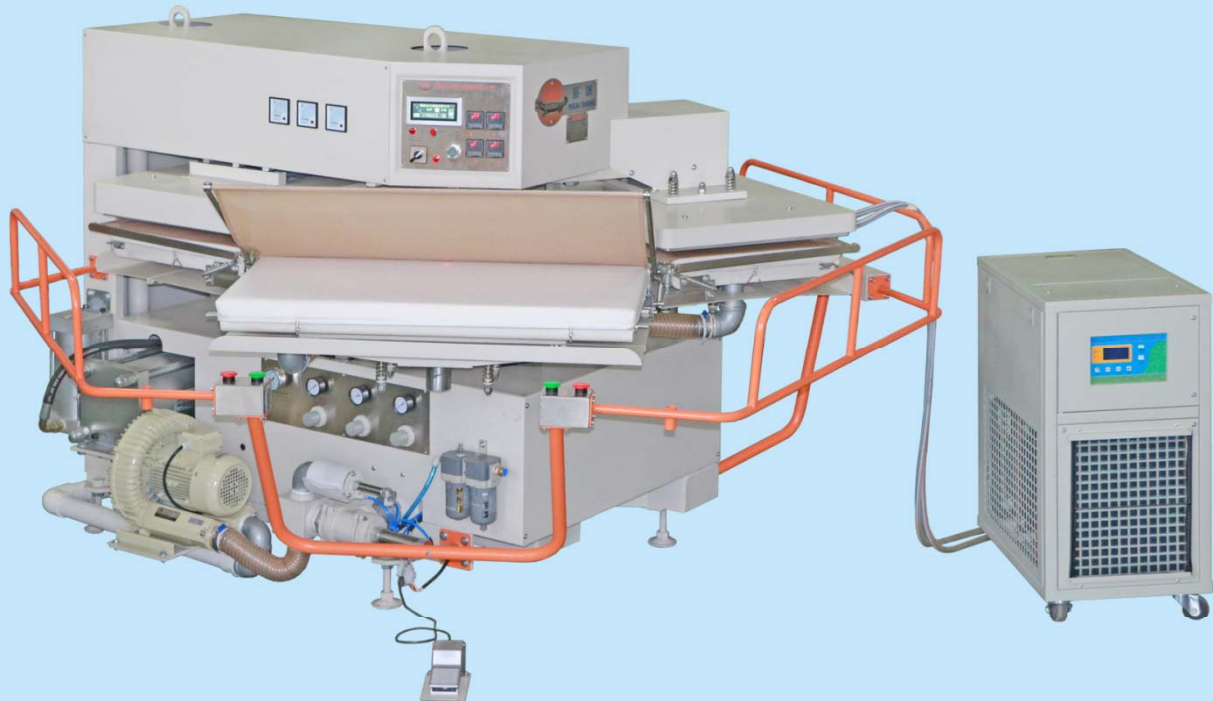


NS-8934 / NS-8934-L
自動三頭粘合壓平機
Automatic Triple-buck Fusing Press



- 適用於襯衫領、明筒的粘合壓熨
- 採用PLC可編程控制器控制及人性化操作界面觸摸顯示屏操作，可設定輕壓、重壓等壓熨方式
- 上模採用優質鋁合金製造，傳熱速度快且平均；並配合四個數字式溫度控制器控制溫度更為精確
- 下模採用伺服馬達驅動旋轉，旋轉定位更精確
- 三下模旋轉設計，可同時進行壓熨、冷卻定型、擺料三步操作，大大提高工作效率
- 採用冷水機冷卻壓熨後的衣料，保證極佳壓熨效果
- 優化設計，採用增壓缸加壓(重壓)，加壓壓力大，生產效率高，質量好，操作簡單，維修方便
- 備高靈敏度電眼系統，提高操作者安全
- Best for fusing and pressing shirt collar and front placket
- Apply PLC and human friendly machine touch screen for operation, and gently pressing , heavily pressing etc. can be selected
- The upper mould is made of high quality aluminum alloy, so the heat transferring becomes faster and evener. It has four thermostats for accurate temperature control
- The lower mould adopts servo motor drive to rotate positioning accurately
- Equipped with 3 moulds rotary design to apply for pressing , cooling and laying material simultaneously thus the work efficiency has been improved greatly
- Water cooling system for perfect pressing result
- Optimizing design on pressure boosting system which can provide enough pressure, high efficiency and quality, easy operation and convenient maintenance
- Equipped with high sensitive electric eye system to ensure the operator's safety



壓前幅
Pressing shirt front



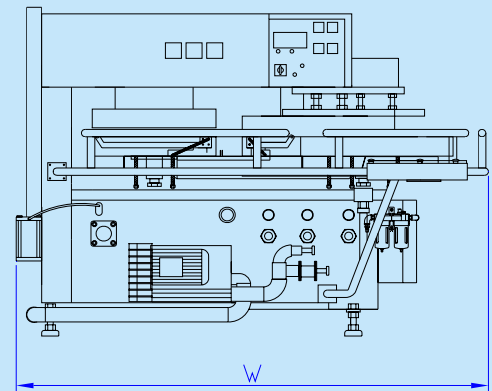
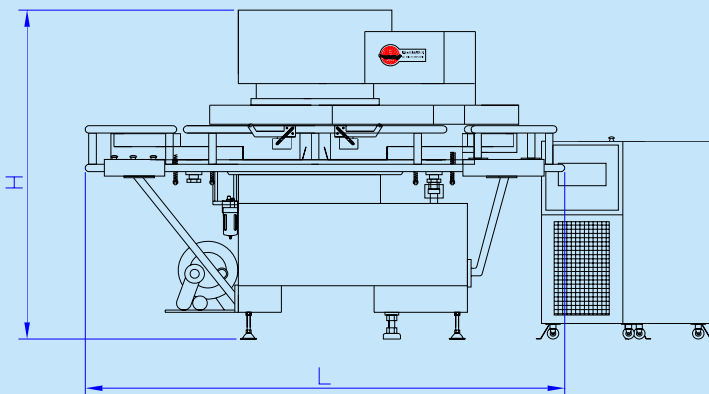
壓領
Pressing collar



增壓系統
Pressure boosting system



冷水機
Water cooling system



型號 Model	電源 Power Supply	總功率(kW) Total Power	發熱線功率(kW) Power of Heater	加壓方式 Pressure Increasing Mode	冷水機功率(kW) Power of Water Cooling System	抽風泵功率(kW) Aspiring Pump Power	壓縮空氣壓力 (kgf/cm ²) Compressed Air Pressure	耗壓縮空氣量 (L/min) Compressed Air Consumption	平均粘合壓力 (kgf/cm ²) Average Fusing Pressure	工作台面尺寸 (mm) Size of Working Table	機身尺寸 (mm) Machine Size
NS-8934	3PH/380V/50Hz	13.4	9.6	增壓缸加壓 By pressure booster	1	1.5	5	200	5	800x400	2170x2020x1550
NS-8934-L										1000x500	2620x2370x1620



藝誠(余氏)發展有限公司
Ngai Shing Development Limited

香港九龍長沙灣永康街52號地下
G/F., 52 Wing Hong St.,
Cheung Sha Wan, Kln., Hong Kong.

Tel: (852) 2741 9981, 2742 0078 E-MAIL: info@ngaishing.com
Fax: (852) 2785 3149 Http://www.ngaishing.com